

Jackshaft Operator

COMMERCIAL



MCJH Standard/Industrial Duty jackshaft operator for high lift and vertical lift sectional doors, rolling doors and grilles. Durable Continuous duty high-starting torque motor with instant reverse and overload protection. Available in 1/2, 3/4, and 1 HP; single- or three-phase. MCJH is rated for up to 25 cycles per hour/80-90 cycles per day. It features our fully programmable LX 100 logic board, and heavy duty ball bearings on all line shafts.

"User Friendly" LX 100 Programmable interface.

Open/Close/Stop and Learn buttons simplify the setup process. Menu buttons, along with the LCD display allow installation and service personnel access menus to set desired wiring types (C2 is the factory default), timers, and cycle counter. LED indicator lights on the panel provide visual confirmation of the operator's functions, as well as a "Fault" LED to indicate a fault with the photo eyes or interlock devices.

Features include:

- Solenoid Brake standard
- Adjustable Friction Clutch
- Max door HT=20', for doors over 20' consult factory
- UL 325-2010 compliant, with Monitored Entrapment Capability
- Spreader bar is supplied with MCJH operator
- Remote Control is supplied with MCJH operator
- Built-in 3-channel 372 MHz radio receiver accepts up to 20 Lynx remote controls
- Programmable wiring selections C2, B2, D1, E2, T, & TS
- Run Timer, Mid Stop Timer, Timer to Close
- Integrated "Motor Rotation" switch to easily change motor rotation for through the wall mount, and other special applications
- 2 year warranty



www.lynx-nsw.com

Napoleon /Lynx
111 Weires Drive
Archbold, Ohio 43502
800-338-5399

Lynx Industries Inc.
175 Upper Eddison
St-Lambert, Quebec
J4R 2R3, Canada
888-589-5969

Napoleon /Lynx
101 North 57th Ave
Phoenix, Arizona 85043
800-233-3599

Lynx Industries Inc.
6311 Vipond Drive
Mississauga, Ontario
L5T 1T7, Canada
888-839-5969

Napoleon /Lynx
25 Empire Boulevard
South Hackensack, NJ 07606
800-234-5969



Proudly Made in North America

Specifications

MOTOR

1/2HP, 3/4HP, or 1HP, 115-230 volts, 1 phase, capacitor start.
1/2HP, 3/4HP, or 1HP, 230-460 volts, 3 phase, all with overload and under voltage protection.

BUTTON CONTROL

Door may be stopped in any position and moved up or down with a NEMA1 three button standard "open-close-stop".

LIMIT SWITCHES

Oil impregnate screw type cams and precision type micro switches for both up and down positions. They are easily adjusted without tools.

DRIVE

Heavy duty 4L VBelt and #41 Chain with sprocket reductions for efficient long lasting quiet operation. Power transfer is made with #41 chain.

SOLENOID BRAKE

Prevents door from coasting and to help secure door in closed position.

ADJUSTABLE FRICTION CLUTCH

Provides safety to operator throughout opening cycle and is easily adjusted in the field.

BEARINGS

Heavy duty ball bearings on all shafts.

DISCONNECT DEVICE

Floor level disconnect with emergency chain hoist on MCJH operator.

MAXIMUM SUGGESTED DOOR HEIGHT

6.1 m (20' 0").

SIDEROOM AND MOUNTING

37 cm (14.5") right or left.

OPERATOR CHASSIS

Made from 6.35 cm x 6.35 cm x 4.8 mm (2-1/2" x 2-1/2" x 3/16") steel angles mounted on four angle brackets, bolted together for greater strength.

MAXIMUM SQUARE FOOTAGE

Maximum square footage for 1/2HP is 355 sq.ft. for 22/24 Ga. door. Maximum square footage for 3/4HP is 505 sq.ft. for 22/24 Ga. door. Maximum square footage for 1HP is 630 sq.ft. for 22/24 Ga. door.

SHIPPING WEIGHT

Shipping Weight is 110 lbs.

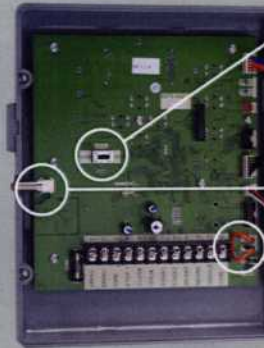
OPTIONAL

Three button remote controls can be programmed for Open/Close/Stop.

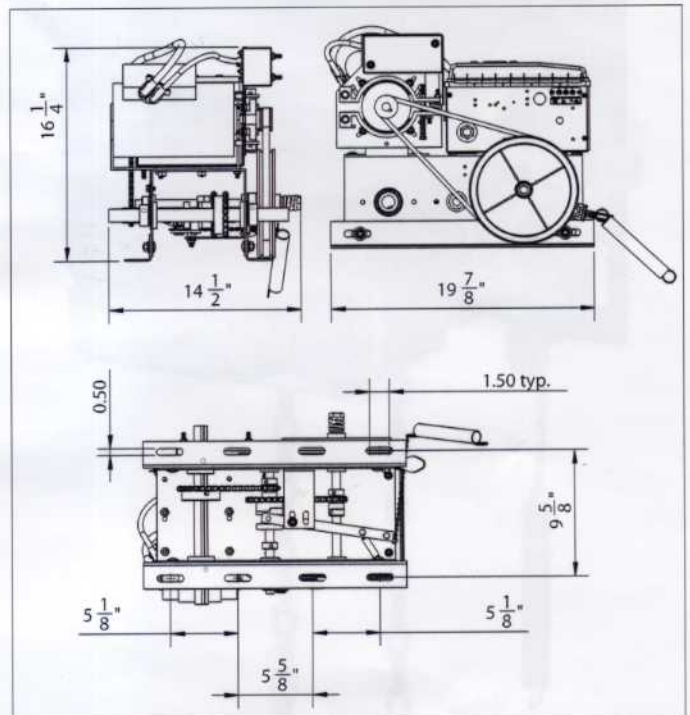
Specifications subject to change without notice.

LX100 Programmable interface...

Makes the difference with fully programmable logic board.



- Integrated "Motor Rotation" switch to easily change motor rotation for though the wall mount, and other special applications
- Coaxial connector for external antenna
- Wired to accept interlock devices



OPTIONAL

LX 400 Traffic Light/Apartment Control Board allows the user to connect traffic lights, horns, or other A/C powered accessories.

